



ULTRATECNO
POWER ULTRASONIC CLEANING

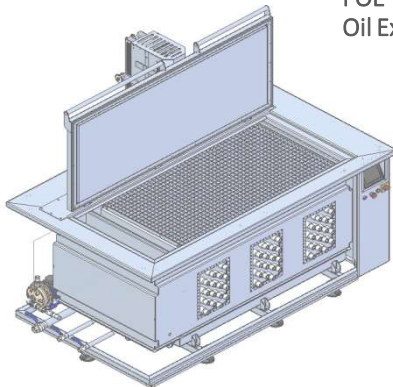
ACM-500N

High Power Ultrasonic Cleaner for Heavy Duty applications



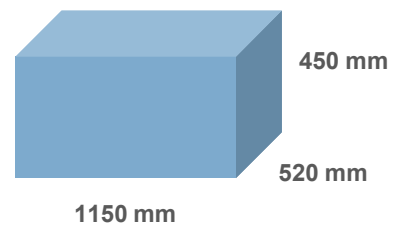
- FOE[®]**
Floating Oil Extraction
- ARF[®]**
Acoustic Reduction Filter
- LFS[®]**
Laminar Flow System

- Pneumatic Platform lift
- Insulated lid
- ARF[®] noise reduction
- Triple thermal insulation
- Full Stainless steel construction
- Protected Ceramic Heaters



- FOE[®] Floating Oil Extraction
- LFS[®] Oil Separation
- 28 kHz Powerful Ultrasound
- Replaceable transducers

Maximum Useful dimensions



At least 100-150 mm of free space surrounding the parts is required to allow proper ultrasonic diffusion. Don't overload the tank, to get good cleaning performance.

The most powerful Ultrasonic equipment at market

UltraTecnó
Valencia, SPAIN
+34 961 666 565 - info@ultratecno.es
www.ultratecno.eu

Main tank internal dimensions 1200 x 670 x 730 mm (587 lt)
 Full stainless steel construction AISI 304/316L - 3 mm thickness - Height adjustable legs
 External Dimensions with Top Lid Open / Weight 2010 x 1220 x 1812 mm / 675 kg

Ultrasonic System Frequency 28 kHz
 Ultrasonic Actual Power 4000 W (4 sets) Synchronized Generators
 Sweep Frequency Digital $\pm 2\%$ for smooth & safe cleaning
 Ultrasonic Emitters Sets 316L Flanged assembly at walls (replaceable)
 Noise Reduction System Patented ARF[©] <78db (A)

Elevator for agitation with platform lift Pneumatic, max load 350 kg

Oil Separation System Patented LFS[©] with Pump, Auxiliary tank & Automatic extraction
 LFS[®] Recirculation pump Stainless Steel EBARA CDX with Si/PTFE Viton[®] seal

Heating System 11 kW Ceramic Heaters into protective stainless-steel housing
 Acoustic & Thermal Insulation thickness Fire & Sound proof Stone rock 50 mm
 Insulated Top Lid Automatic (pneumatic) 30 mm thermal & acoustic insulation
 Safety water Level Sensor Electronic IFM LMT-102 (SS316-PEEK)

Inset Multilanguage 7" Color HMI Touch screen Manual & Automatic Preset Cycles
 Full process parameters customization
 Heating & US Programmable Timer / Preventive Maintenance Schedule
 Electrical Consumption Monitor / Detergent calculator / Hourly & starts counter

Optional Devices Available Filtering / Automatic Water Refill /
 Hybrid Heating / Small parts basket /
 Steam Extraction / Automatic Top Lid Opening / Hands Free Operation Pedal



28kHz
Synchronized



Durable
Construction



Green
Label



Low noise
Emission



Smart
Interface



Best cost effective
Cleaner